

Clamping Solutions for Woodworking

Vacuum clamping technology for wood processing is essential for efficiently setting up console table, grid table and flat table systems. Existing machining centers can be easily modernized with the Innospann clamping system. The Schmalz clamping equipment lets you clamp both narrow workpieces and workpieces made from solid wood. The Multi-Clamp is the perfect tool for manual fixing of small and medium-sized workpieces.



Console Table Systems

Clamping equipment for Schmalz consoles (single-circuit and two-circuit systems) and consoles from Biesse and SCM/Morbidelli



Grid Table Systems

Clamping equipment for all common grid geometries (groove depth 5 x 5 mm to 7 x 7 mm)



Flat Table Systems

Clamping equipment especially designed for use on any flat table



Modernization of CNC Machining Centers

Solutions for modernizing console table, grid table and flat table systems.



Clamping Solutions for Narrow Workpieces

Clamping equipment for effortlessly clamping narrow workpieces. Schmalz vacuum clamping technology can be used in a variety of table systems.



Clamping Solutions for Solid Wood

Clamping equipment for absorption of high cutting forces while processing solid wood parts.



Clamping Solutions for Manual Work

Clamping equipment for clamping workpieces for manual processing.



Replacement Suction Plates

Replacement suction plates for restoring a vacuum block after wear.

SUCTION-PLATE FOR VACUUM BLOCK [TOP] (Common for Homag, IMA, Biesse and SCM/Morbidelli vacuum blocks)



Size L x B x H (mm)	Item No.	Schmalz Order No.	Stock
125 x 50 x 15.5	VCSP-12050	10.01.12.00012	√
125 x 75 x 16.5	VCSP-12575	10.01.12.00011	√
140 x 115 x 16.5*	VCSP-140115	10.01.12.00488	√
120 x 120 x 16.5**	VCSP-120120	10.01.12.00010	√
140 x 130 x 16.5***	VCSP-140130	10.01.12.02325	√

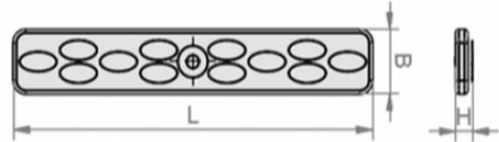
*Homag only; **SCM/Morbidelli only; ***Biesse and SCM/Morbidelli only

SUCTION-PLATE FOR VACUUM BLOCK [TOP] (Only for 130mm x 30mm vacuum blocks only)



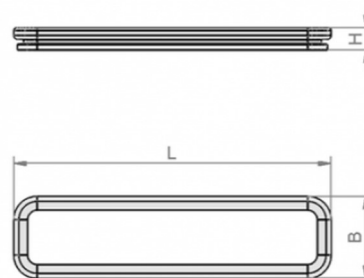
Size L x B x H (mm)	Item No.	Schmalz Order No.	Stock
130 x 30 x 29.5	VCSP-13030	10.01.12.00702	√

FRICTION PLATE (Works together with 130mm x 30mm suction plate)



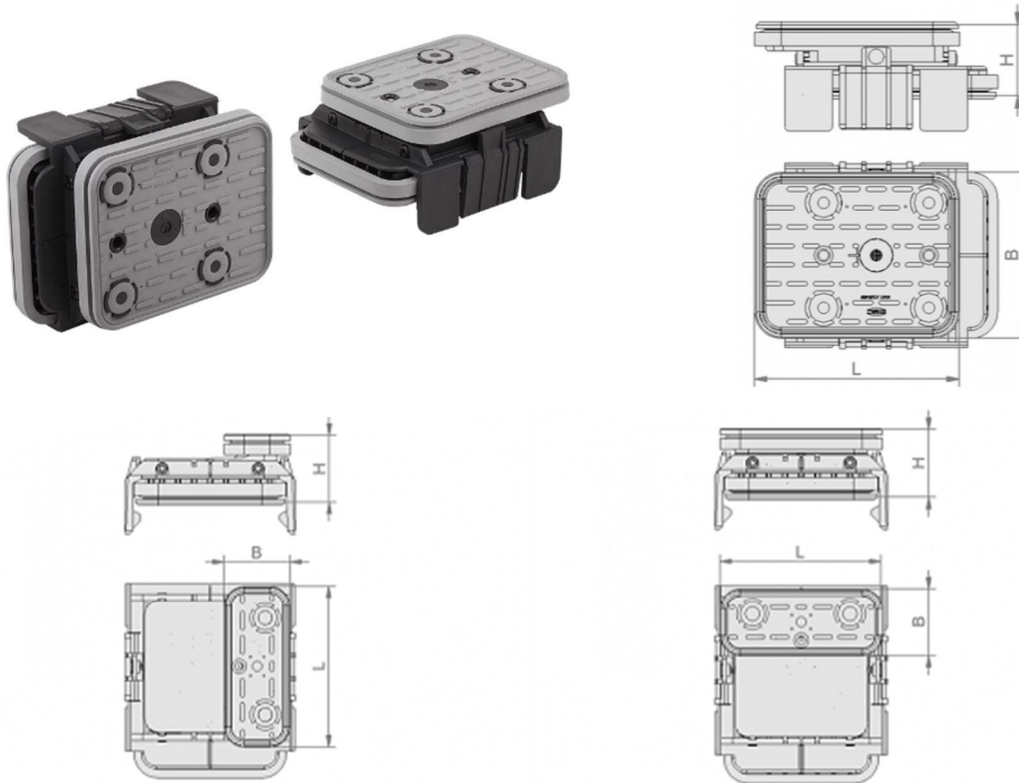
Size L x B x H (mm)	Item No.	Schmalz Order No.	Stock
130 x 30 x 5.5	ISRPL-13030	10.01.12.00805	√

SEALING FRAME (Works together with 130mm x 30mm suction plate)



Size L x B x H (mm)	Item No.	Schmalz Order No.	Stock
130 x 30 x 9	VCDR-13030	10.01.12.00804	√

VACUUM BLOCK (K1) FOR HOMAG/WEEKE 1-CIRCUIT CONSOLE SYSTEMS



Lengthways

Crossways

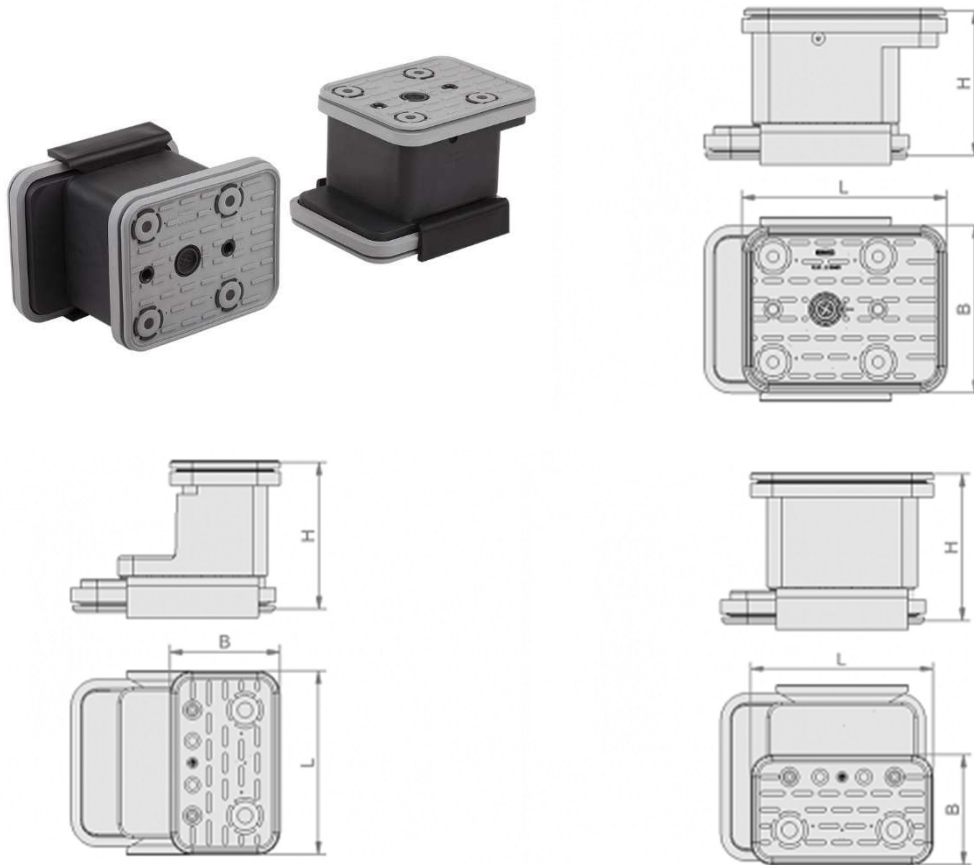
Size L x B x H (mm)	Item No.	Schmalz Order No.	Stock
140 x 115 x 50	VCBL-140115K1	10.01.12.00210	√
140 x 115 x 100	VCBL-140115100K1	10.01.12.02481	√
120 x 150 x 50 (Crossways)	VCBL-12050QK1	10.01.12.00770	
120 x 150 x 50 (Lengthways)	VCBL-12050LK1	10.01.12.00769	
125 x 75 x 50 (Crossways)	VCBL-12575QK1	10.01.12.00211	√
125 x 75 x 50 (Lengthways)	VCBL-12575LK1	10.01.12.00230	√
130 x 30 x 50 (Crossways)	VCBL-13030QK1	10.01.12.00379	√
130 x 30 x 50 (Lengthways)	VCBL-13030LK1	10.01.12.00378	√

**360 DEGREES ADJUSTABLE VACUUM BLOCK (K1) FOR
HOMAG/WEEKE 1-CIRCUIT CONSOLE SYSTEMS**



Size L x B x H (mm)	Item No.	Schmalz Order No.	Stock
120 x 50 x 50 D-360	VCBL-12050DK1	10.01.12.00825	√
125 x 75 x 50 D-360	VCBL-12575DK1	10.01.12.00497	√
130 x 30 x 50 D-360	VCBL-13030DK1	10.01.12.01455	√

VACUUM BLOCK (K2) FOR HOMAG/WEEKE 2-CIRCUIT CONSOLE SYSTEMS



Lengthways

Crossways

Size L x B x H (mm)	Item No.	Schmalz Order No.	Stock
140 x 115 x 100	VCBL-140115K2	10.01.12.00445	√
120 x 150 x 100 (Crossways)	VCBL-12050QK2	10.01.12.00126	√
120 x 150 x 100 (Lengthways)	VCBL-12050LK2	10.01.12.00853	√
125 x 75 x 100 (Crossways)	VCBL-12575QK2	10.01.12.00447	√
125 x 75 x 100 (Lengthways)	VCBL-12575LK2	10.01.12.00506	√
130 x 30 x 100 (Crossways)	VCBL-13030QK2	10.01.12.00854	√
130 x 30 x 100 (Lengthways)	VCBL-13030LK2	10.01.12.00855	√

360 DEGREES ADJUSTABLE VACUUM BLOCK (K2) FOR HOMAG/WEEKE 2-CIRCUIT CONSOLE SYSTEMS



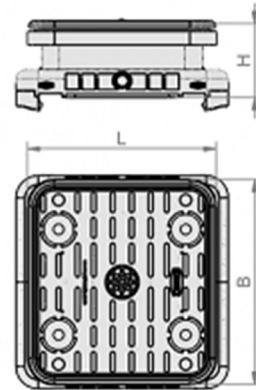
Size L x B x H (mm)	Item No.	Schmalz Order No.	Stock
120 x 50 x 100 D-360	VCBL-12050DK2	10.01.12.01079	
125 x 75 x 100 D-360	VCBL-12575DK2	10.01.12.01020	√

VACUUM BLOCK FOR BIESSE SYSTEMS



Size L x B x H (mm)	Item No.	Schmalz Order No.	Stock
140 x 130 x 29	VCBL-14013029B	10.01.12.03165	√
140 x 130 x 48	VCBL-14013048B	10.01.12.03169	√
140 x 130 x 74	VCBL-14013074B	10.01.12.03173	
120 x 50 x 29	VCBL-1205029B	10.01.12.03167	√
120 x 50 x 48	VCBL-1205048B	10.01.12.03171	√
120 x 50 x 74	VCBL-1205074B	10.01.12.03175	
125 x 75 x 29	VCBL-1257529B	10.01.12.03166	√
125 x 75 x 48	VCBL-1257548B	10.01.12.03170	√
125 x 75 x 74	VCBL-1257574B	10.01.12.03174	

VACUUM BLOCK FOR SCM/MORBIDELLI SYSTEMS



Size L x B x H (mm)	Item No.	Schmalz Order No.	Stock
140 x 130 x 50 (TVN)	VCBL-140130S4	10.01.12.02321	√
120 x 120 x 32.7 (TV)	VCBL-12012032S1	10.01.12.02317	
120 x 120 x 32.7 (TVS)	VCBL-12012032S1S	10.01.12.02386	
120 x 120 x 50 (TV)	VCBL-12012050S1	10.01.12.02969	
125 x 75 x 32.7 (TV)	VCBL-1257532S1	10.01.12.02318	
125 x 75 x 32.7 (TVS)	VCBL-1257532S1S	10.01.12.02387	
125 x 75 x 50 (TVN)	VCBL-1257550S4	10.01.12.02322	√
120 x 50 x 32.7 (TV)	VCBL-1205032S1	10.01.12.02319	
120 x 50 x 32.7 (TVS)	VCBL-1205032S1S	10.01.12.02388	
120 x 50 x 50 (TV)	VCBL-1205050S1	10.01.12.02591	
120 x 50 x 50 (TVN)	VCBL-1205050S4	10.01.12.02323	√
130 x 30 x 32.7 (TV)	VCBL-1303032S1	10.01.12.02320	
130 x 30 x 32.7 (TVS)	VCBL-1303032S1S	10.01.12.02389	
130 x 30 x 50 (TV)	VCBL-1303050S1	10.01.12.02945	
130 x 30 x 50 (TVN)	VCBL-1303050S4	10.01.12.02324	√

TV and TVS system from SCM = S1 System from Schmalz (width of mounting = 72.5mm)

TVS system requires a hose connection

TVN system from SCM = S4 System from Schmalz (width of mounting = 109mm)

360 DEGREES ADJUSTABLE VACUUM BLOCK FOR SCM/MORBIDELLI SYSTEMS



Size L x B x H (mm)	Item No.	Schmalz Order No.	Stock
125 x 75 x 32.7 D-360 (TV)	VCBL-1257532DS1	10.01.12.01302	
125 x 75 x 50 D-360 (TVN)	VCBL-1257550DS4	10.01.12.01473	√
120 x 50 x 32.7 D-360 (TV)	VCBL-1205032DS1	10.01.12.01301	
120 x 50 x 50 D-360 (TV)	VCBL-1205050DS1	10.01.12.02271	
120 x 50 x 50 D-360 (TVN)	VCBL-1205050DS4	10.01.12.01474	√
130 x 30 x 32.7 D-360 (TV)	VCBL-1303032DS1	10.01.12.01300	
130 x 30 x 50 D-360 (TVN)	VCBL-1303050DS4	10.01.12.01475	√

TV and TVS system from SCM = S1 System from Schmalz (width of mounting = 72.5mm)

TVS system requires a hose connection

TVN system from SCM = S4 System from Schmalz (width of mounting = 109mm)